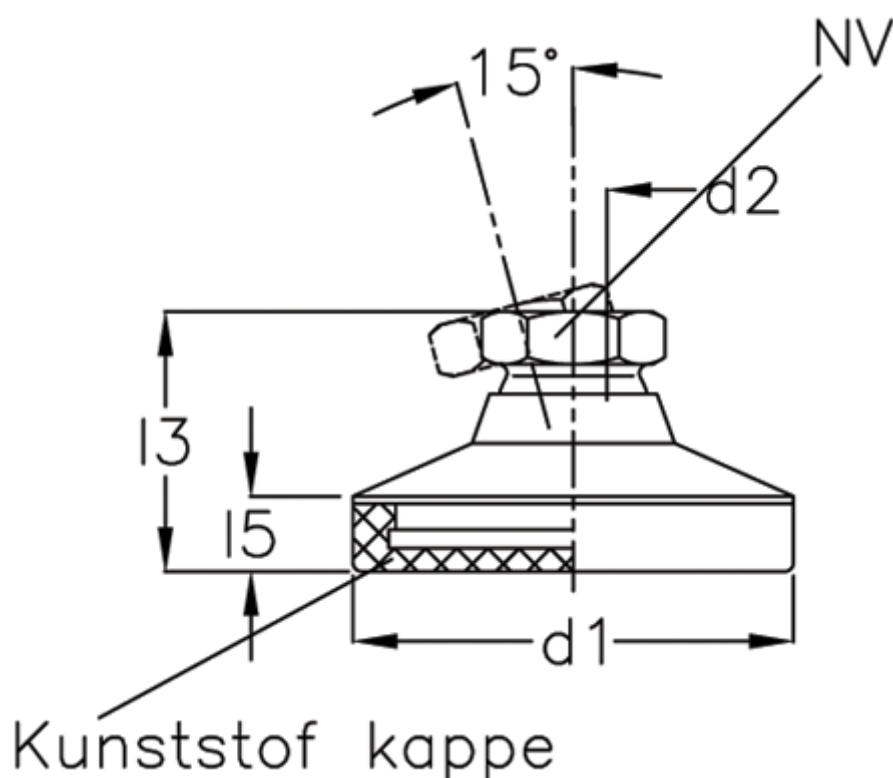


Article number: 20343550M10KR
Description: E+G levelling foot
GN 343.5-50-M10-KR

Measures



d1	= 50
d2	= 10
l3	= 29.5
l5	= 8.5
NV	= 15
Static load (N)	= 20
t min	= 10.5